

Artwork specifications for Sunscreen: 50g tube

Up to 999 Labels

Digital Print Labels

Digital printing via IBM environment ... Not Mac

Delivery: 5-8 days from approval of artwork.

FILES:

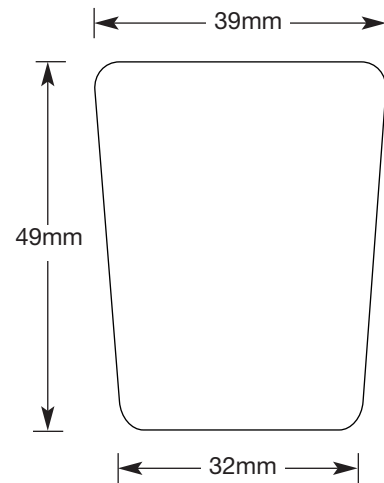
- EPS, or Adobe Illustrator, version 4, saved as **Vector Art** files with no imbedded images.
- If an image is the only option, a tiff file is preferred.
- Please **do no** send images contained inside document or eps files.
- If you cannot send files as eps or AI saved as Vector Art files, digitising charges may apply.
- Please do not send jpeg, pdf, gif or Powerpoint files, or any document with embedded images.
- Please nominate the PMS colours you require.
- All original fonts used on the job must be supplied on disk, Truetype fonts are acceptable. If possible indicate the name of the font.
- Our system prints 300dpi. the image saved at higher resolution will be a better quality print.
- Email file: (no more than 1MB - save file at a high resolution but small image size).

Over 1,000 Labels or Pad Printed

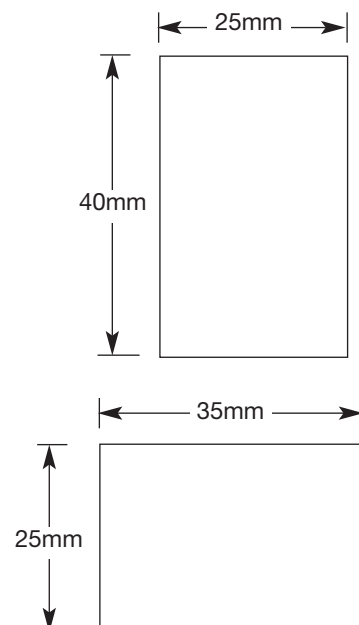
Screen Print or Letterpress

Delivery 12-17 days from approval of artwork.

- All logos are to be supplied as **Adobe Illustrator eps** files.
- All photos are to be supplied as **Photoshop tif or eps at 300dpi**.
- Artwork file for printing with logo, text etc., to be supplied as **Adobe Illustrator eps** (no fonts all type as outlines).
- **No other format is acceptable. If not supplied in correct format, your file will be returned and no work can be commenced until supplied as above.**
- If single colour printing please indicate PMS colour.
- If 4 colour process printing ensure file is supplied in CMYK format.



Sunscreen Lotion Label



**Pad Printed Tubes
maximum image area**